



BEACONS

ECCOLED SERIES - SILVER

R65 LED Beacons



The Silver ECCOLED R65 Beacon utilises 9 powerful LEDs, arranged to produce a 360° flash pattern with a flash rate of 125FPM for maximum visibility by using solid-state, maintenance free long-life nature LED technology. This high-performance range has improved EMC, is robust and compact in a popular housing design and is available in five standard mounting options. The ECCOLED range of beacons are suitable for a variety of vehicles including applications where ECE R65 and UK Chapter 8 are a requirement. This range is designed to maximise resilience to excessive vibration, increase the life of the product and is backed by a three-year warranty.

Features and Benefits

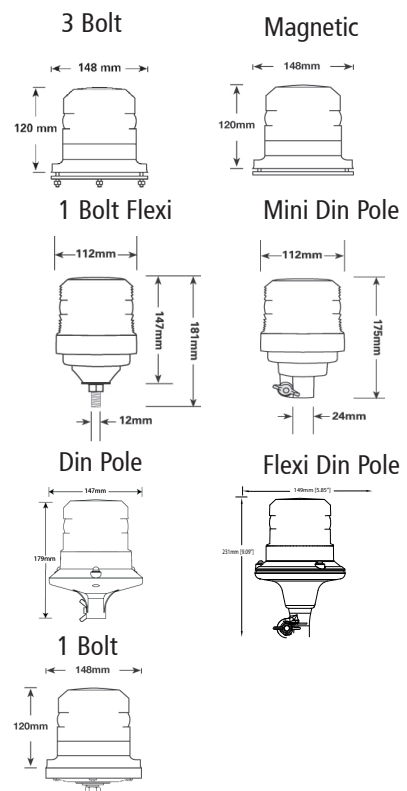
- R65 Double flash (125FPM)
- Polycarbonate lens with robust base
- Long life LED technology
- Operating Voltage Range 12-24V
- 360° light output
- Current Consumption: 1.5 amps @ 12V
- IP69K option (3 bolt only).

Models

PART NO.	VOLTAGE	LEDS	AMPS	MOUNT	COLOUR	FPM
EB5014A	12-24	9	1.06	3 Bolt	Amber	125
EB5015A	12-24	9	1.06	1 Bolt Flexi	Amber	125
EB5016A	12-24	9	1.06	Mini Din Pole	Amber	125
EB5017A	12-24	9	1.06	Magnetic	Amber	135
EB5009A	12-24	9	2.20	Flexi Din Pole	Amber	125
EB5018A	12-24	9	2.20	1 Bolt	Amber	125
EB5006G*	12-24	9	2.20	Mini Din Pole	Green	125
EB5003G*	12-24	9	2.20	Din Pole	Green	125
EB5004G*	12-24	9	2.20	Magnetic	Green	125
EB5009G*	12-24	9	2.20	Flexi Din Pole	Green	125
EB5009R*	12-24	9	2.20	Flexi Din Pole	Red	125

*Non R65

Dimensions



+44 (0)113 237 5340 sales@eccogroup.com